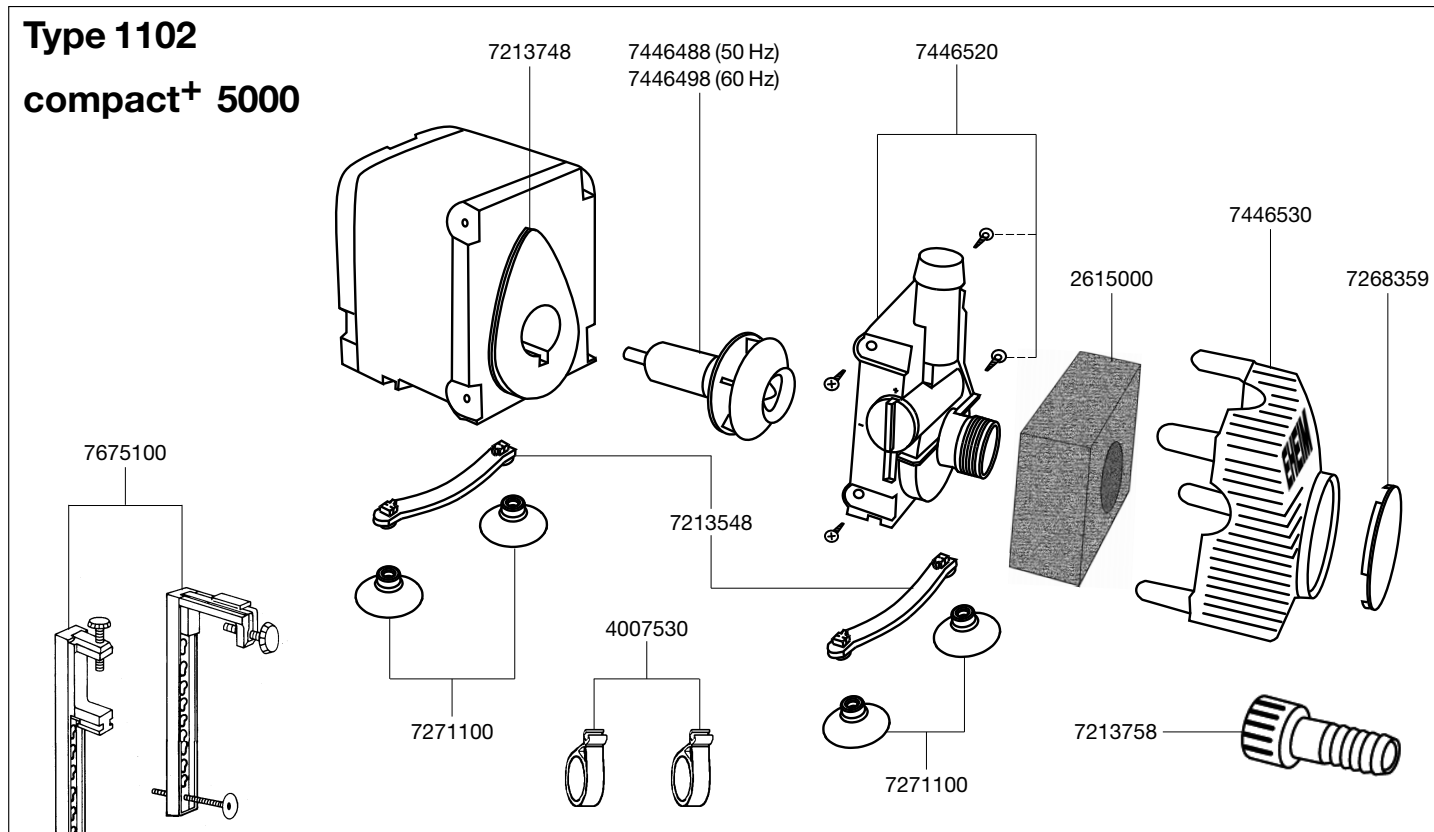




Spare parts. Subject to change without prior notice.



Order no.	Spare part	1102
2615000	Coarse foam (2 pieces)	
4007530	Hose clamp (2 pieces)	
7213548	Attachment sleeves (2 pieces)	
7213758	Threaded connector suction side	
7213748	Sealing ring (2 pieces)	
7268359	Sealing cover	
7271100	Suction cup (4 pieces)	
7446488	Impeller (50 Hz) for compact+ 5000 , Type 1102	
7446498	Impeller (60 Hz) for compact+ 5000 , Type 1102	

Order no.	Spare part	1102
7446520	Pump housing complete with sealing ring and 4 screws for compact+ 5000 , Type 1102	
7446530	Intake screen with sealing cover	
7675100	Holding brackets	