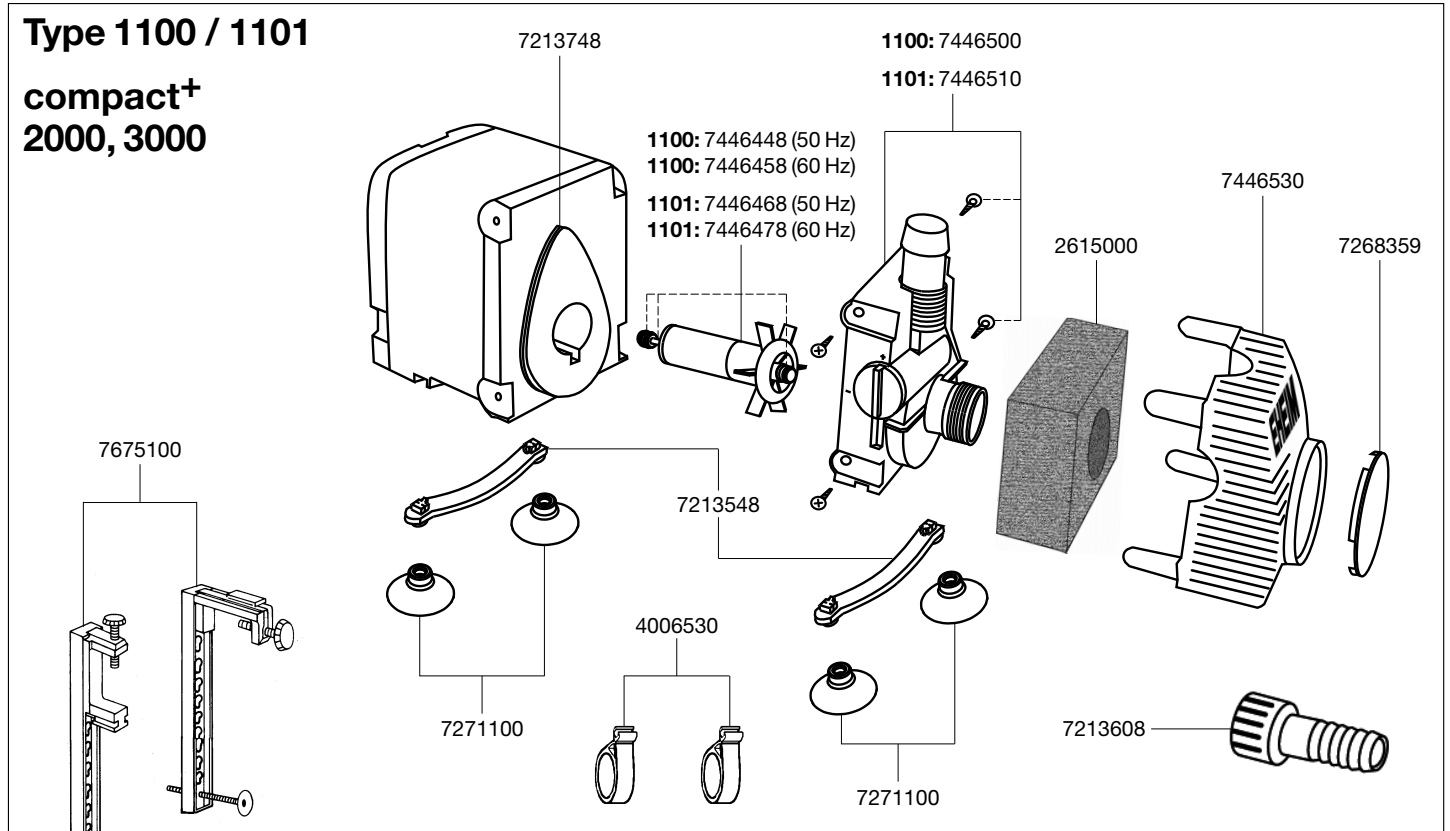


1100 Pump compact+ 2000
1101 Pump compact+ 3000



Spare parts. Subject to change without prior notice.



Order no.	Spare part	1100 / 1101
2615000	Coarse foam (2 pieces)	
4006530	Hose clamp (2 pieces)	
7213548	Attachment sleeves (2 pieces)	
7213608	Threaded connector suction side	
7213748	Sealing ring (2 pieces)	
7268359	Sealing cover	
7271100	Suction cup (4 pieces)	
7446448	Impeller (50 Hz) for compact+ 2000 , Type 1100	
7446458	Impeller (60 Hz) for compact+ 2000 , Type 1100	

Order no.	Spare part	1100 / 1101
7446468	Impeller (50 Hz) for compact+ 3000 , Type 1101	
7446478	Impeller (60 Hz) for compact+ 3000 , Type 1101	
7446500	Pump housing complete with sealing ring and 4 screws for compact+ 2000 , Type 1100	
7446510	Pump housing complete with sealing ring and 4 screws for compact+ 3000 , Type 1100	
7446530	Intake screen with sealing cover	
7675100	Holding brackets	