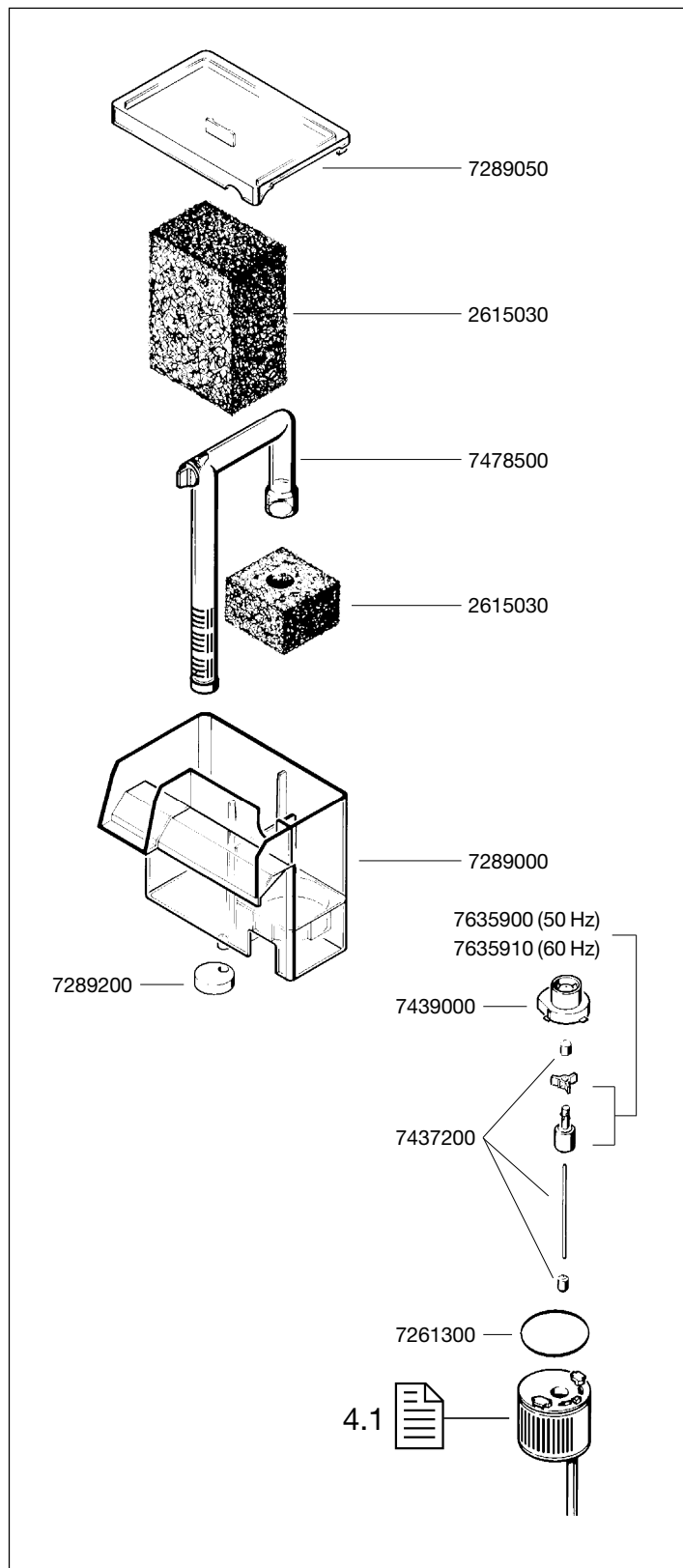


1003 Centrifugal pump 2003 External filter



Spare parts. Subject to change without prior notice.



| Order no. | Spare part |
|-----------|--|
| 2602030 | Set of filter cartridges with activated carbon filling |
| 2615030 | Set of filter cartridges |
| 4009560 | Set of cleaning brushes (not shown) |
| 7261300 | O-ring (2 pieces) |
| 7289000 | Filter body |
| 7289050 | Cover |
| 7289200 | Distance holder for canister |
| 7437200 | Shaft and bushing set |
| 7439000 | Pump housing with bushing |
| 7478500 | Suction tube complete |
| 7635900 | Impeller (50 Hz) |
| 7635910 | Impeller (60 Hz) |